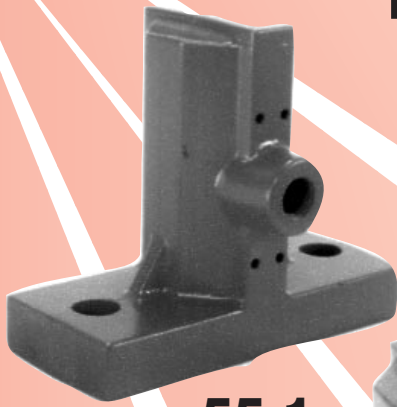
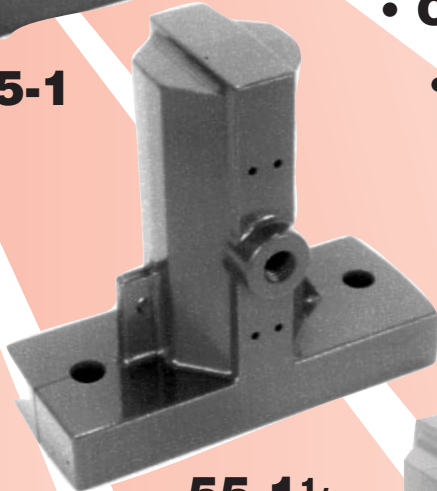


PNEUMATIC PISTON VIBRATORS

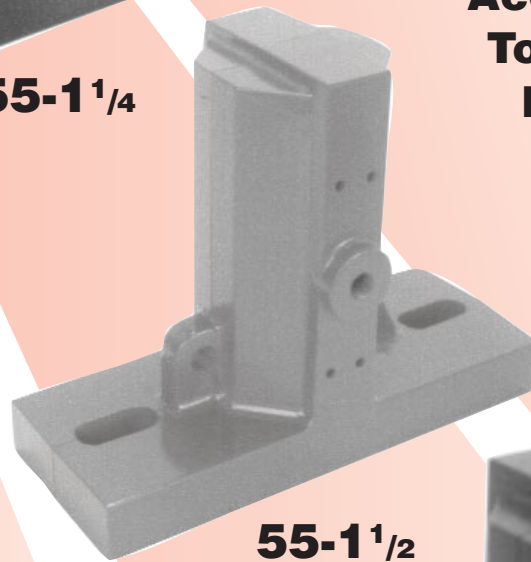
MODEL 55 MILLENNIUM LINE



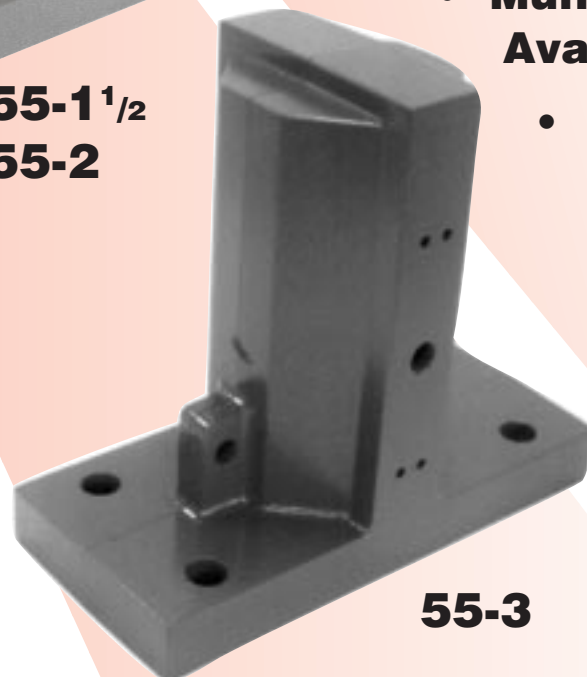
55-1



55-1^{1/4}



55-1^{1/2}
55-2



55-3

- **One Piece Cast Iron Housing**
- **Mounting Holes Slotted for Easy Mount & Replacement of Competitive Units**
- **Latest Technology Design**
- **CNC - Machined for Accurate & Repeat Tolerances for Better Quality**
- **Lowest in Air Consumption**
- **Impacting or Air Cushioned**
- **Muffler Available**
- **Front or Side Air Inlet**

VIBCO

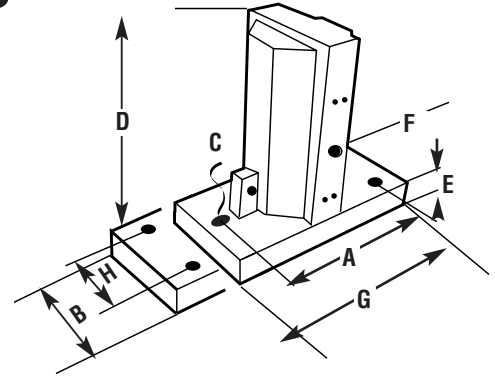
introduces the latest in Piston Vibrator Design – the “Anvil Design” where the piston impacts on a hardened anvil concentrating the impact for better vibration transfer and relieving the mounting bolts from stress and breakage. All parts CNC-machined for accuracy and repeatability both in air consumption frequency and force. Simple design keeps pricing below competition.

MANY OPTIONS: Side or Front Inlet; Impacting or Air Cushioned; Muffler available.

SPECIFICATIONS

TECHNICAL DATA - MODEL 55

Piston Size	40 PSI		60 PSI		80 PSI		Contents in Bin
	CFM	VPM	CFM	VPM	CFM	VPM	
1S	2	3700	2.2	4150	3	7200	100-200
1	2	6100	3	8100	3.5	10500	200-400
1-1/4S	3.5	2900	6	3400	7	4500	200-400
1-1/4	3.5	4600	5.5	5750	6.5	6800	400-1000
1-1/2S	5	2200	7.5	3200	8.5	3500	400-1000
1-1/2	5	2600	8	3900	10	4400	1000-4000
2S	5	2800	8.5	3300	11	4800	1000-4000
2	5.5	4000	9	5350	12	5500	4000-10000
3S	13.5	1700	20.5	1950	28	2200	8000-20000
3	16.5	3000	25.5	3750	30	4000	10000-30000



DIMENSIONS

Model	A inch / mm		B inch / mm		C inch / mm		D inch / mm		E inch / mm		F inch / mm		G inch / mm		H inch / mm	
55-1	3 1/2	89	2	64	1/2	12	3 7/8	98	5/8	16	1/4 NPT	4 1/2	114	—		
55-1 1/4	4 1/2	114	2 1/2	64	1/2	12	5	127	7/8	22	1/4 NPT	6	152	—		
55-1 1/2	7 1/2	190	3 1/2	89	11/16	17	7 1/4	184	1	25	1/4 NPT	9	229	—		
55-2	7 1/2	190	3 1/2	89	11/16	17	7 1/4	184	1	25	1/4 NPT	9	229	—		
55-3	7 3/4	197	5	127	15/16	124	9 7/16	240	1 1/8	26	3/8 NPT	10 1/2	267	3 1/4	83	

*Holes elongated to meet any competitive dimension.

COMPARISON AND REPLACEMENT CHART

VIBCO	CLEVELAND	NAVCO	HOUSTON	GLOBAL	BRANFORD
55-1	—	BH-1	BV-112	P1	5008
55-1 1/4	1125	BH-1-1/4	BV-150	P1-1/4	R5010
55-1 1/2	1150	BH-1-1/2	BV-175	P1-5/8	R5012
55-2	1200	BH-2	BV-225	P2	R5016
55-3	1300	BH-3	BV-312	P3	R5024

**ASK FOR
YOUR FREE
VIBCO
GENERAL
CATALOG**

OTHER PISTON TYPE VIBRATORS



VIBCO, INC.

75 Stilson Road, P.O. Box 8
Wyoming, RI 02898
E-Mail: vibrators@vibco.com
Phone: (401) 539-2392 / (800) 633-0032
FAX: (401) 539-2584
<http://www.VIBCO.com>

West Coast:

Phoenix,
Arizona 85254
Phone: (480) 596-1809 / (800) 633-0032
FAX: (480) 596-1614

Canada:

2215 Dunwin Drive
Mississauga, Ont.L5L 1X1
Phone: (905) 828-4191 / (800) 465-9709
FAX: (905) 828-5015

WE ARE THE VIBRATOR GUYS!