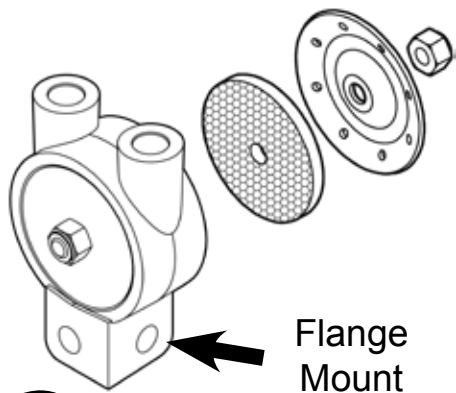




VIBCO REPAIR KIT INSTRUCTIONS for FBS Series Turbine

WARNING: Failure to read and follow repair kit/replacement instructions and safety precautions could result in personal injury, equipment damage, shortened service life or unsatisfactory equipment performance. All information in this document is vital to the proper repair and operation of the equipment. It is important that all personnel who will be coming in contact with this product thoroughly read and understand these instructions.

CORRECT COVER REMOVAL



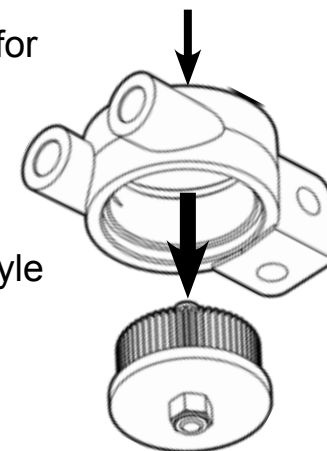
- A) Check flange mount position (see picture) to remove correct nylon lock nut. This is the **ONLY** nut that should be removed.
- B) Remove nut, outside cover & muffler pad, inside cover remains with housing.

1

NOTE: If shaft is broken proceed to Step #2.

PRESS OUT OLD/BROKEN ASSEMBLY

- A) Lay unit down. Allow room for the round cover to dislodge itself from the housing.
- B) Slowly press out old shaft assembly using an arbor style press*. Be careful not to damage threads.

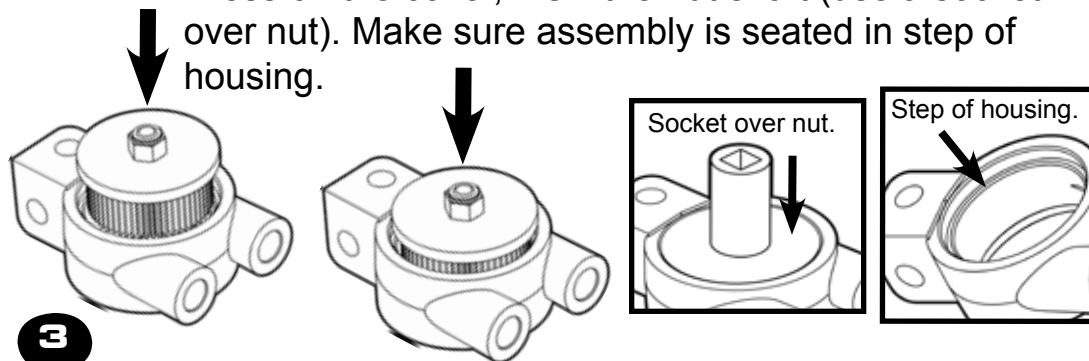


2

*** AN ARBOR STYLE PRESS IS RECOMMENDED. IF NOT AVAILABLE USE A MINIMUM 5lb. SOFT FACE MALLET. ***

PRESS IN NEW ASSEMBLY

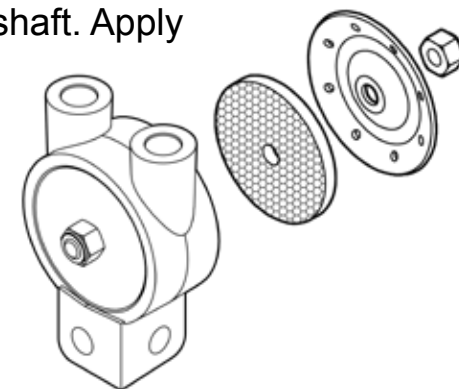
- A) Slowly press in new assembly using arbor style press*. Press on the cover, **NOT** the nut/shaft (use a socket over nut). Make sure assembly is seated in step of housing.



3

REPLACE COVERS & NUT

- A) Replace muffler pad & outside cover over shaft. Apply lock tight to threads. Tighten nylon lock nut to seal unit.



4

REV137-11



Always check welds and bin where unit is mounted for cracks or signs of stress before remounting. Also, check psi on regulator to ensure it does not exceed 80psi.



QUESTIONS OR CONCERNS? CALL VIBCO 24/7 800.633.0032