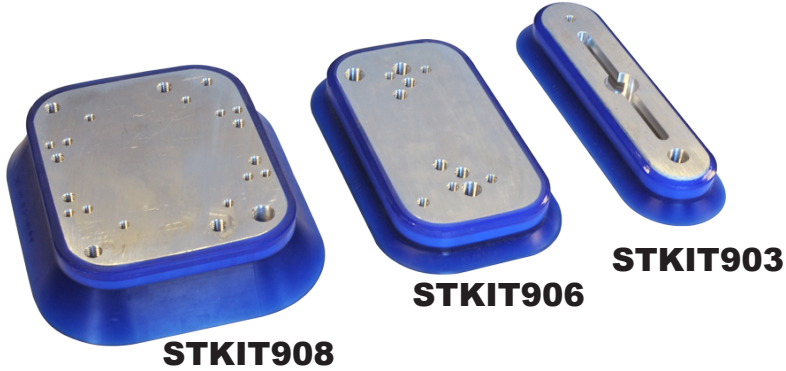




SILENT
We're The Vibrator Guys.™

Stik-It™ Vibrator Mount Pneumatic Stik-It™ Mount



VIBCO's Stik-It™ pneumatic vibrator mount is the versatile, weld free vibrator mounting solution you need! It mounts to any smooth nonporous surface in seconds. No bolts, no welding, no hassle. Just the right amount of vibration right where you need it... right away.

VIBCO's exclusive Stik-It™ mount creates positive suction with a steady air miser. Place and remove your VIBCO vibrators in seconds!

VIBCO Stik-It™ mounts can be used with over 40 of VIBCO's pneumatic, electric and hydraulic vibrators. Just ask a VIBCO Engineer to recommend the right vibrator and mount.

Tried other models that failed? VIBCO's Stik-It™ mount was design just for the harsh dusty industrial environment. Our vacuum producer will pass large dust particles that will kill other units!

Plastic tote bins, IBCs, test labs, railcars, fiber drums, V cone blenders, temporary material flow problem spots, hopper clean outs... all are perfect places to Stik-It™!

Where Will You Stik-It?™



STKIT903 shown with a VIBCO Millennium™
MLT-250 Sanitary Vibrator

- **Rapidly attaches to any smooth nonporous surface**
- **NO bolting or welding**
- **Light weight provides "one person portability"**
- **Great for testing & clean out**
- **Forces to 4000 pounds**
- **Works with over 40 vibrators, turbines, ball, piston, electric, hydraulic power**

MODEL	*COMPATIBLE WITH
STKIT903 STKIT903AM	MLT-190, 250, 320
	VS-130, 160, 190, 250, 320
	BVS-130, 160, 190, 250, 320
	V-130, 190, 250, 320
	BV-130, 190, 250, 320
	50-1S, 50-1-1/4S
	B-190, 250, 320
	SCR-50, 100
	SPR-20, 21, 40, 60, 80
	SPRT-21, 60, 80
STKIT906 STKIT906AM	VS-380
	V-380
	50-1-1/2S-SP, 50-2S-SP
	US-450T, 700
	SVRFS-4000AL
STKIT908 STKIT908AM	VS-510
	SCR-300, 400
	2P-75, 100, 150

* Vibrators sold separately

No compressed air? No problem!

Ask about VIBCO's Vibra-Grip®

Manual Suction Mount

- Manual push pump for easy attachment
- 5" & 10" of suction surface area
- Easily removed for quick relocation

Models 5VMC24, 10VMC24

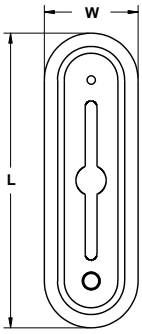
800.633.0032 • www.VIBCO.com

VIBCO STIK-IT MOUNT VIBRATOR

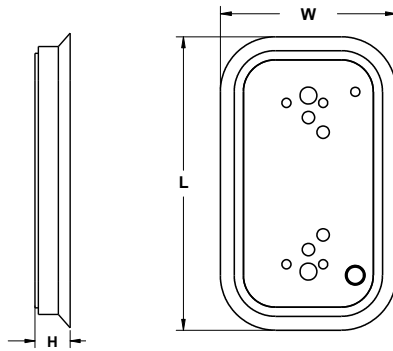
DIMENSIONS

Model	L		W		H	
	Inch	mm	Inch	mm	Inch	mm
STKIT903 / STKIT903AM	11	279.4	3 1/2	88.9	1 5/16	33.9
STKIT906 / STKIT906AM	10	254	6	152.4	1 3/8	34.9
STKIT908 / STKIT908AM	10	254	8 1/2	215.9	2 1/8	53.9

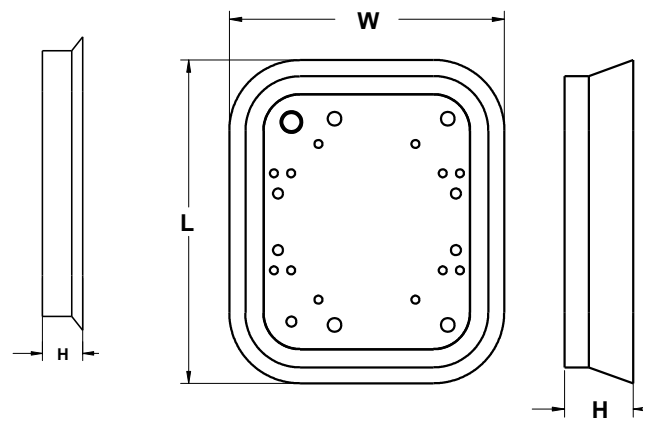
STKIT903



STKIT906



STKIT908



TECHNICAL DATA

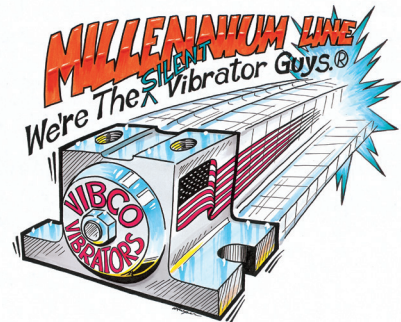
Model	Min. PSI	Min. Bar	Min. CFM	*STD Operating Temp		Weight	
STKIT903 / STKIT903AM	80	5.5	8	32°F to 125°F	0°C to 51°C	1.56 lbs	0.71 kg
STKIT906 / STKIT906AM	80	5.5	8	32°F to 125°F	0°C to 51°C	3.24 lbs	1.47 kg
STKIT908 / STKIT908AM	80	5.5	8	32°F to 125°F	0°C to 51°C	4.38 lbs	1.99 kg

*Contact VIBCO for higher temp mounts

VIBCO SANITARY VIBRATORS:

HAVE A APPLICATION THAT REQUIRES WASH DOWN SAFE UNITS? TRY OUR MILLENNIUM LINE OF SILENT SANITARY VIBRATORS.

CALL US TODAY TO DISCUSS YOUR APPLICATION!



VIBCO
VIBRATORS

VIBCO, INC.

75 Stilson Rd.
Wyoming, RI 02898
E-Mail: vibrators@VIBCO.com
Phone: (401) 539-2392
FAX: (401) 539-2584

CANADA:

2215 Dunwin Drive
Mississauga, Ont.L5L 1X1
Phone: (905) 828-4191
(800) 465-9709
FAX: (905) 828-5015

MADE IN USA
At 75 Stilson Road, Wyoming, Rhode Island

800.633.0032 • www.VIBCO.com

REV 345-15