



SILENT
We're The Vibrator Guys.™

Heavy Duty Electric End Tapped Vibrators

Models: 2PCD-200, 2PCD-650, 2PCD-1050, 4PCD-200

- **Threaded inlet & outlet holes**
- **Air discharge thru exhaust manifold or vibrator**
- **Silent or impacting models**
- **Steel construction for long life**

MODEL 70 END TAPPED PNEUMATIC PISTON VIBRATOR

VIBCO's Model 70 end-tapped piston series produce linear force that's fully adjustable with air pressure. The linear force and frequency will vary with air pressure. A self-starting spring is installed for fast starts in any piston position.

Model 70 pneumatic pistons are available in two styles: silent (air cushioned) or impacting (piston hitting end cap). Standard units exhaust through holes in the housing but can also be supplied with an exhaust manifold (EM) for attaching a muffler or hose to lead off exhaust air. Mounting hole can be inch or millimeter threaded for attaching to threaded rod or stud.

The patented Model 70 Pneumatic Piston Vibrator is entirely constructed of steel to assure a long life. These units are an inexpensive solution for moving material in small bins and hoppers as well as screens and small feeders.

Model 70 pneumatic pistons should be lubricated and operated with standard air cleaners. When ordering be sure to specify: inch or millimeter thread; S - for silent units and EM - if exhaust manifold is required.



Also available from **VIBCO**

Model 80 End Mounted Piston Vibrator

- Single bolt attachment for easy fit
- O-rings keep out dust and dirt
- Lightweight all steel design

Model 40 End Mounted Piston Vibrator

- Studded head for easy movability
- Great for small concrete forms & bins

Model 30 End Mounted Piston Vibrator

- Provides more vibration transfer
- Equipped with double attaching head

Model 10 End Mounted Piston Vibrator

- Foundry match plate applications

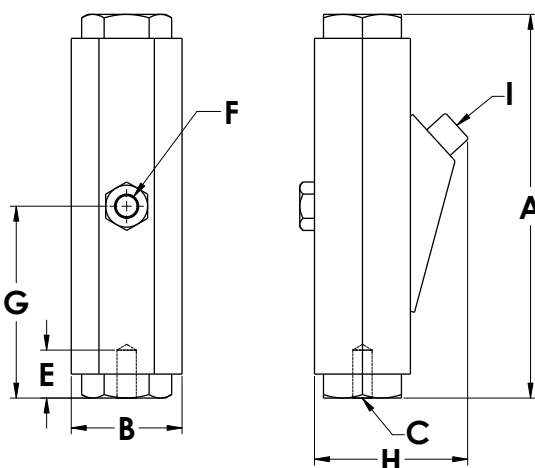
800.633.0032 • www.VIBCO.com

REV095-08

VIBCO PNEUMATIC PISTON VIBRATORS

DIMENSIONS

Model	A		B		C		D		E		F	G		H*		I
	Inch	mm	Inch	mm	Inch	mm	Inch	mm	Inch	mm	Air Inlet	Inch	mm	Inch	mm	Air Exhaust
70-5/8	4-3/4	120	1-1/4	32	5/16-24	M8X1.25	1-5/16	33	5/8	16	1/8-NPT	2-3/8	60	2-3/8	60	1/4-NPT
70-3/4	4-3/4	120	1-5/8	41	3/8-24	M10X1.5	1-5/8	41	5/8	16	1/8-NPT	2-3/8	60	2-3/8	60	1/4-NPT
70-1	4-3/4	120	1-7/8	48	1/2-20	M12X1.75	1-7/8	48	5/8	16	1/8-NPT	2-3/8	60	2-3/8	60	1/4-NPT
70-1-1/4	8	203	2-5/16	59	1/2-20	M12X1.75	2-5/16	59	5/8	16	1/4-NPT	4	101	4	101	1/4-NPT



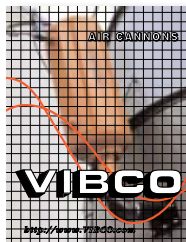
TECHNICAL DATA

Model 70 Piston Size	40 PSI/2.8 BAR		60 PSI/4.1 BAR		80 PSI/5.5 BAR		WEIGHT*		CONTENTS** IN BIN	
	CFM	VPM	CFM	VPM	CFM	VPM	lbs.	kg.	lbs.	kg.
5/8	2.5	9500	3	12000	4.5	14500	1	0.45	Up to 100	25
3/4	3	9500	3.5	10500	5	13000	1.3	0.6	100-400	25-100
3/4 S	2.5	7500	3	12000	4.5	14500	1.2	0.55	100-200	25-50
1	5	7500	7	9000	8	11000	2.8	0.13	200-400	50-100
1 S	3	6500	3.5	10500	5	13000	2.6	1.2	100-400	25-100
1 1/4	5.5	6500	8	5500	10	7000	7	3.2	400-1000	100-250
1 1/4 S	5	3750	7	9000	8	11000	6.8	3.1	300-800	75-200

VIBCO AIR CANNONS:

HAVE A LARGER BIN OR HOPPER?
STUBBORN OR COARSE MATERIAL?

CALL FOR A **FREE** AIR CANNON OR AIR
BLASTER CATALOG TODAY.



CONTACT VIBCO ABOUT A 10-DAY FREE TRIAL

Available for any **VIBCO** standard unit. With the help of our Application Engineers, we will get you the vibrator that will work best for you. Try it for 10-days at **NO RISK.**



We're The Vibrator Guys.™ <http://www.VIBCO.com>

VIBCO, INC.

75 Stilson Rd., P.O. Box 8
Wyoming, RI 02898
E-Mail: vibrators@VIBCO.com
Phone: (401) 539-2392
FAX: (401) 539-2584

CANADA:
2215 Dunwin Drive
Mississauga, Ont.L5L 1X1
Phone: (905) 828-4191
(800) 465-9709
FAX: (905) 828-5015

SOUTHEAST
12001 North Dr. Martin
Luther King Dr.
Unit 2703
Saint Petersburg, FL 33716
Phone: (401) 864-5117
FAX: (401) 578-9509