

**SILENT**  
We're The Vibrator Guys.™

## Millennium Turbine Line of Sanitary & Stainless Steel Silent Pneumatic Vibrators Models: **MLT-130, 190, 250, 320** **MLTSS-130, 190, 320**



- **Ideal for sanitary applications or harsh chemical environments**
- **Maintenance free - pre-lubricated for life**
- **QUIET - no more noise than an electric motor at 68dB**
- **Threaded exhaust ports allow for maintaining a clean environment**

### MODEL MLT SANITARY SILENT TURBINE VIBRATORS

**VIBCO** has vibrator solutions for any sterile/clean application. Every model in the Millennium Line is designed for the most adverse conditions. Extruded aluminum housings, stainless steel shafts, and aircraft aluminum covers give these vibrators additional strength, durability and long life. Slotted mounting holes make for easy installation on any existing bolt pattern. Exhaust ports come pre-tapped from the factory insuring a clean environment. Available with a variety of sanitary finishes like high-gloss industrial enamel, anodized or unpainted aluminum. Other specialty coatings available for wash down units.

Ideal for applications in industries that require a sanitary equipment like food, beverage, and pharmaceutical industries.

The patented **MLT**-Turbine Vibrators draw 50% less air than comparable ball vibrators and last three times longer. With high speed sealed bearings that are pre-lubricated for life, the Millennium Vibrators are virtually maintenance free. Operating range is 30-80 PSI and maximum operating temperature is 250°F or 120°C. Decibel readings are well below OSHA limits at 68dB (A-scale at 1 meter). That is no more sound than electric motor. And like the rest of **VIBCO's** products these are **100% Made in the USA** and available from stock today.

### MODEL MLTSS STAINLESS STEEL SILENT TURBINE

**VIBCO's** MLTSS line of Stainless Steel Pneumatic Turbine Vibrators are constructed of 303 Stainless Steel. Designed specifically for sanitary applications found in the pharmaceutical, food and beverage industries or in other caustic chemical type environments, like the plating industry. The **MLTSS** vibrators are totally enclosed and wash down safe. No lubrication is necessary as the bearings are pre-lubricated for life, making them virtually maintenance free. Exhausting air can either be muffled or ported to an outside location to preserve the sanitary environment.

Advantages of the **MLTSS** line of sanitary vibrators:

- Non-corroding housing
- Wash down safe and easy to wipe down with a clean flat surface
- Lowest noise levels in the industry, no more sound than an electric motor; 68-75dB
- Air consumption at 50% less than comparable ball vibrators
- **100% Made in the USA, shipped from stock today**

Operating pressure is 30-80 PSI with a maximum operating temperature of 250°F or 120°C.

Also available **MHI & MHISS** Models designed to produce high frequency and maximum forces. Intermittent duty only.

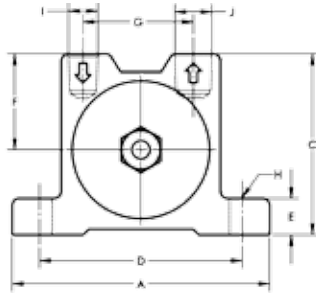
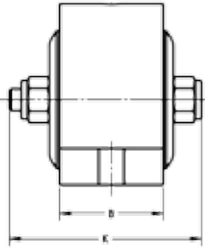
**800.633.0032 • www.VIBCO.com**

**VIBCO PNEUMATIC TURBINE VIBRATORS**

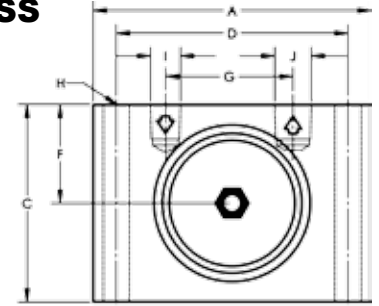
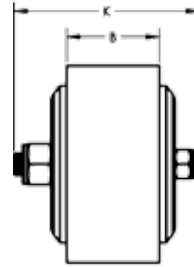
## DIMENSIONS

MODEL NUMBER	A OVERALL DIM INCH / MM	B WIDTH INCH / MM	C HEIGHT INCH / MM	D BOLT HOLE DIA INCH / MM	E FOOT HT (MLT) INCH / MM	F TOP TO CTR INCH / MM	G SPACE BTWN PORTS INCH / MM	H BOLT SIZE INCH / MM	I INLET	J OUTLET	K OVERALL WIDTH INCH / MM
MLT-130 & MHI-130	3-1/2 / 89	1 / 25	2-1/2 / 64	2-3/4 / 70	1/2 / 13	1-3/8 / 35	1-7/16 / 37	1/4 / 6	1/8-28 NPT	1/4-18 NPT	1-7/8 / 48
MLT-190 & MHI-190	4-1/2 / 114	1-13/16 / 46	3-3/16 / 81	3-12 / 89	5/8 / 16	1-11/16 / 43	1-15/16 / 49	3/8 / 10	1/4-18 NPT	3/8-18 NPT	3-3/8 / 86
MLT-250 & MHI-250	5 / 127	2 / 51	3-3/8 / 86	4 / 102	5/8 / 16	1-11/16 / 43	2-1/4 / 57	3/8 / 10	1/4-18 NPT	3/8-18 NPT	3-1/2 / 89
MLT-320 & MHI-320	6-3/8 / 162	2 / 51	4-1/4 / 108	5 / 127	13/16 / 21	2-3/16 / 56	2-3/16 / 71	1/2 / 12	3/8-18 NPT	1/2-14 NPT	4 / 102
MLTSS-130 & MHISS-130	3-1/2 / 89	1 / 25	2-3/8 / 60	2-3/4 / 70	---	1-3/16 / 30	1-7/16 / 37	1/4 / 6	1/8-28 NPT	1/4-18 NPT	1-7/8 / 48
MLTSS-190 & MHISS-190	4-1/2 / 114	1-3/4 / 44	3-1/2 / 89	3-12 / 89	---	1-3/4 / 44	1-15/16 / 50	3/8 / 10	1/4-18 NPT	3/8-18 NPT	3-3/8 / 86
MLTSS-320 & MHISS-320	6 / 152	2 / 51	4-1/4 / 108	5 / 127	---	2-1/8 / 55	2-3/16 / 71	1/2 / 12	3/8-18 NPT	1/2-14 NPT	4 / 102

MODEL: MLT



MODEL: MLTSS



## TECHNICAL DATA

Model No.	Weight		60 psi				80 psi				dB
	lbs.	kg	Speed VPM	CFM	Force (lbs.)	Force (N)	Speed VPM	CFM	Force (lbs.)	Force (N)	
MLT-130	1	.45	8600	4.5	75	334	10500	5.5	75	334	68
MLTSS-130	2	.9									
MLT-190	2	.91	5500	7.5	270	1200	7200	8.5	270	1200	71
MLTSS-190	7	3.2									
MLT-250	2.4	1.08	5200	8	480	2136	7200	9	480	2136	72
MLT-320	4.5	2.04									
MLTSS-320	13	6.0	5500	9	600	2669	6800	10	600	2669	70
MHI-130	1	.45									
MHISS-130	2	.9	17200	4.5	200	890	21000	5.5	300	1340	68
MHI-190	2	.91									
MHISS-190	7	3.2	8000	7.5	335	1490	10500	8.5	575	2560	71
MHI-250	2.4	1.08									
MHISS-250	7	3.2	7400	8	510	2270	10200	9	965	4290	72
MHI-320	4.5	2.04									
MHISS-320	13	6.0	7200	9	675	3000	10000	10	1300	5780	70
MHISS-320	13	6.0									

**SILENT**  
**VIBCO ELECTRIC VIBRATORS:**  
**CALL FOR A FREE SILENT ELECTRIC VIBRATOR CATALOG**



**CONTACT VIBCO ABOUT A 10-DAY FREE TRIAL**  
 Available for any VIBCO standard unit. With the help of our Application Engineers, we will get you the vibrator that will work best for you. Try it for 10-days at **NO RISK.**



**VIBCO, INC.**

75 Stilson Rd., P.O. Box 8  
 Wyoming, RI 02898  
 E-Mail: [vibrators@VIBCO.com](mailto:vibrators@VIBCO.com)  
 Phone: (401) 539-2392  
 FAX: (401) 539-2584  
<http://www.VIBCO.com>

**WEST COAST:**

Phoenix, Arizona  
 Phone: (408) 596-1809  
 (800) 633-0032  
 FAX: (905) 828-5015

**CANADA:**

2215 Dunwin Drive  
 Mississauga, Ont.L5L 1X1  
 Phone: (905) 828-4191  
 (800) 465-9709  
 FAX: (905) 828-5015

**SOUTHEAST**

12001 North Dr. Martin  
 Luther King Dr.  
 Unit 2703  
 Saint Petersburg, FL 33716  
 Phone: (401) 864-5117  
 FAX: (401) 578-9509

We're The Vibrator Guys.™